



Consistent with LEED® goals
& Green Globes™ criteria
for light pollution reduction

LuxMaster® Series 53

Area Lighting

70-150W HPS

PRODUCT OVERVIEW



Features:

Durable die-cast aluminum housing for long-life performance

Optical assembly designed for maximum performance

Removable ballast tray electrical system for installation and maintenance ease

“Breathing Seal” developed by American Electric prevents contaminants from entering optical assembly for maximum efficiency

Optics available in flat tempered glass, drop acrylic and drop polycarbonate

Available in a variety of IES light distributions patterns and cutoff classifications

Standard product is designed to mount to pipe mast arm. Direct pole mount arms are available

All electrical components warranted by American Electric Lighting’s 6-year guarantee

UL Listed

Mogul base, E39, socket standard

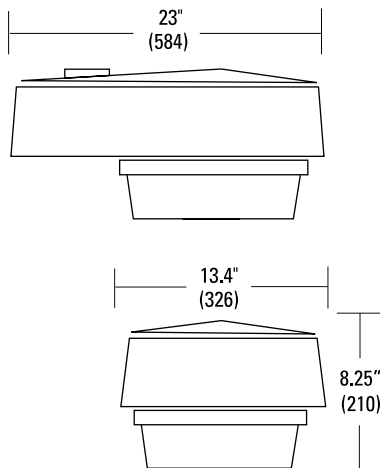
Suitable for -30°C MH / -40°C HPS

Complies with ANSI: C136.2, C136.10, C136.14, C136.15

Applications:

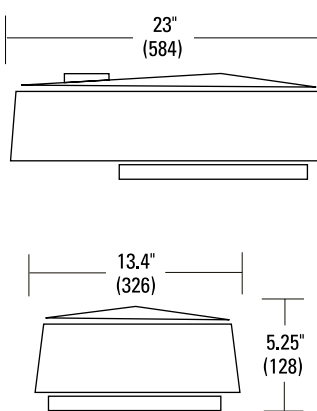
- Parking lots
- Roadways
- Residential communities
- Commercial environments
- Office communities

DIMENSIONS



Effective Projected Area (EPA)

The EPA for the LuxMaster® Series 53 with refractor 1.4 sq. ft.
Approx Wt = 30 lbs.



Effective Projected Area (EPA)

The EPA for the LuxMaster® Series 53 with flat lens is 1.1 sq. ft.

PREFERRED SELECTION CATALOG NUMBERS

53 10S CA MT1 R2 DA

53 15S CA MT1 R2 FG

53 10S RH 120 R3 FG

LuxMaster® Series 53

Area Lighting

70-150W HPS

ORDERING INFORMATION

Example: 53 15S CA MT1 R3 FG LC PC

Series	Wattage / Source		Ballast	Voltage	Distribution
53 LuxMaster Shoebox	07 70W	S HPS	RN Reactor Normal Power Factor	120 120V	R2 Roadway Type II
	10 100W		RH Reactor High Power Factor	208 208V	R3 Roadway Type III
	15 150W		XN High Reactance / Lag Normal Power Factor	240 240V	<i>Refer to optical matrix below for compatibility</i>
	17 175W		XH High Reactance / Lag High Power Factor	277 277V	
			CA CWA Auto Reg	347 347V	
			MR Mag Reg (3 coil)	480 480V	
			CT CWI	MT1 Multi-tap Wired 120V	
			SC SCWA	MT2 Multi-tap Wired 240V	
				MT7 Multi-tap Wired 277V	
				TT3 Tri-tap Wired 347V	
				DT2 Dual Tap 120/240 Wired 240V	
				DT4 Dual Tap 240/480 Wired 480V	

Optics
DA Drop Acrylic Prismatic Refractor
DP Drop Polycarbonate Prismatic Refractor
FG Flat Glass Clear Tempered ¹

Options

Mounting

- (blank) Internal fitter (1-1/4")
- M2** Internal fitter (pre-set 2")

Paint ²

- (blank) Bronze (standard)
- BK** Black
- DDB** Dark Bronze
- GY** Gray
- WH** White

Terminal Block

- (blank) Terminal Block (standard)
- T2** Wired to L1 & L2 Positions
- T3** 3 Wire Operation (L1, N, L2 Position)

Fusing ³

- SF** Single Fuse (120, 277, 347V)
- DF** Double Fuse (208, 220, 240, 480V)

Photocontrol Receptacle

- (blank) NEMA Photocontrol Receptacle (standard)
- NR** No Photocontrol Receptacle ⁴

Lamp

- LC** Lamp Included, Clear
- LD** Lamp Included, Deluxe

Starter

- (blank) Open Board (standard)
- EC** Encapsulated Plug-in
- OP** Open Plug-in
- PS** Protected/Auto Shutoff ⁵

Listing

- (blank) UL Listed (standard)
- CS** CSA Certified
- XL** No Listing

Misc.

- PC** Photocontrol Included per Voltage Specified ⁴
- SS** Stainless Steel Fasteners (external)
- HS** House Side Shield
- LA** Lightning Arrestor (Void UL/CSA Listed Options)
- SH** Shorting Cap ⁴
- HK** Hinge Keeper
- NL** NEMA Label on Housing

Notes:

- Nighttime Friendly™ optic
- Other colors available, please contact your local American Electric Lighting representative
- VOIDS UL/CSA Certified Options and not available in MT, TT, and DT voltages
- PC and SH not available with NR option
- Limited availability, please contact your local American Electric Lighting representative

Optic Distribution

	R2 DA	R3 DA	R2 DP	R3 DP	R2 FG	R3 FG
07S	▲	▲	▲	▲	▲	▲
10S	▲	▲	▲	▲	▲	▲
15S	▲	▲	▲	▲	▲	▲



AEL Headquarters, 3825 Columbus Road, Granville, OH 43023
www.americanelectriclighting.com

© 2008-2016 Acuity Brands Lighting, Inc. All Rights Reserved. AL-53 Rev. 05/24/18

Warranty Five-year limited warranty. Complete warranty terms located at: www.acuitybrands.com/CustomResources/Terms_and_conditions.aspx
Actual performance may differ as a result of end-user environment and application. Specifications subject to change without notice.

Please contact your sales representative for the latest product information.

BALLAST MATRIX

LuxMaster® Series 53

Watts	120	208	240	277	347	480	DT2
07S	MR,RH,RN	MR,XH,XN	MR,XH,XN	XH,XN	XH,XN	XH	MR,XH,XN
10S	CA,CT,MR,RH,RN	CA,CT,MR,RH,RN	CA,CT,MR,RH,RN	CA,XH,XN	XH,XN	CA	CA,CT,MR,XH,XN
15S	CA,CT,RN,RH	CA,CT,XH,XN	CA,CT,XH,XN	CA,XH,XN	CA	CA	CA,CT,XH,XN

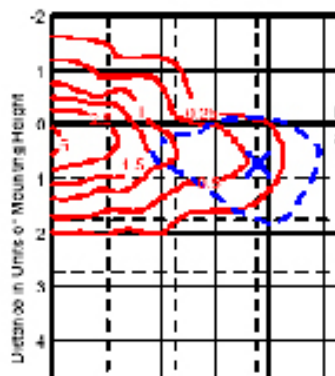
LuxMaster® Series 53 continued

Watts	MT1	MT2	MT7	TT3
07S	XN,XH	XN,XH	XN,XH	XN,XH
10S	CA,XN,XH	CA,XN,XH	CA,XN,XH	XN,XH
15S	CA,XH,XN	CA,XN,XH	CA,XN,XH	XH,XN

PHOTOMETRICS

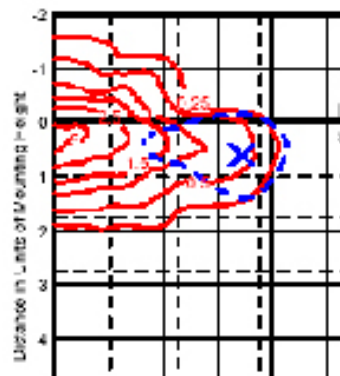
53 15S R3 DP

ISOILLUMINANCE PLOT (F)
Mounting Height = 20 ft
Classification Type II, Long, Semi-cutoff



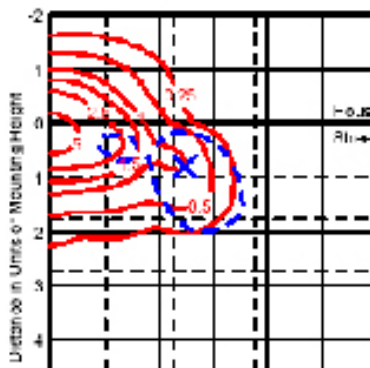
53 15S R2 DA

ISOILLUMINANCE PLOT (F)
Mounting Height = 20 ft
Classification Type I, Medium, Cutoff



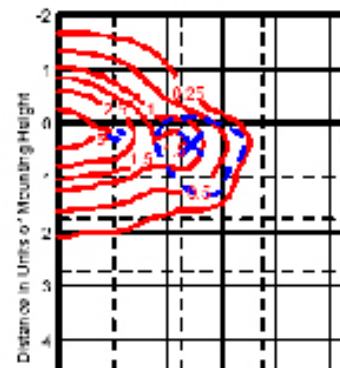
53 15S R3 FG

ISOILLUMINANCE PLOT (FC)
Mounting Height = 20 ft
Classification Type II, Medium Cutoff



53 15S R2 FG

ISOILLUMINANCE PLOT (F)
Mounting Height = 20 ft
Classification Type II, Medium, Cutoff



AEL Headquarters, 3825 Columbus Road, Granville, OH 43023
www.americanelectricalighting.com

© 2008-2016 Acuity Brands Lighting, Inc. All Rights Reserved. AL-53 Rev. 05/24/18

Warranty Five-year limited warranty. Complete warranty terms located at: www.acuitybrands.com/CustomerResources/Terms_and_conditions.aspx
Actual performance may differ as a result of end-user environment and application. Specifications subject to change without notice.

Please contact your sales representative for the latest product information.